

M 58

Dynamic Microphone

Order # 403.660



FEATURES

- Moving coil transducer
- Internal shockmount reduces handling noise
- Extended frequency response with rising high-end for maximum intelligibility
- Rugged construction
- Non-reflective finish
- Weight-balanced, slim-profile design

APPLICATIONS

The M 58 has been specifically designed to satisfy the demands of electric news gathering (ENG) and electronic field production (EFP) applications.

Its sophisticated internal shockmount dramatically reduces handling noise, while the microphone's frequency response has been tailored to provide broadcasters with a very accurate and intelligible sound.

The M 58's weight-balanced design provides journalists with a high degree of comfort during lengthy interviews. Its rugged construction enables the microphone to withstand physical and environmental punishment typically encountered during field production operations. The M 58's slim profile and non-reflective finish result in a low profile on camera.

SUPPLIED ACCESSORIES

WS 58 AZ Wind shield, charcoal-grey . . . Order # 404.632

OPTIONAL ACCESSORIES

BMC 05 FM BLK Standard microphone cable
XLR-XLR, 5 m long Order # 434.787

BMC 10 FM BLK Standard microphone cable
XLR-XLR, 10 m long Order # 434.795

MKV 8 Microphone clamp
with 3/8" internal thread,
for shaft diameters
of 22 - 32 mm Order # 407.216

WS 58 WS Wind shield, white Order # 406.821

WS 58 BL Wind shield, blue Order # 415.596

WS 58 GE Wind shield, yellow. Order # 415.251

WS 58 GN Wind shield, green Order # 415.618

TECHNICAL SPECIFICATIONS

Transducer type Dynamic moving coil

Operating principle Pressure

Frequency response. 40 - 20,000 Hz

Polar pattern Omnidirectional

Open circuit voltage
at 1 kHz (0 dB = 1 V/Pa). 1.3 mV/Pa $\hat{=}$ -58 dBV

Nominal impedance 200 Ω

Load impedance \geq 200 Ω

Diaphragm Makrofol®

Casing Aluminium

Connection 3-pin XLR male

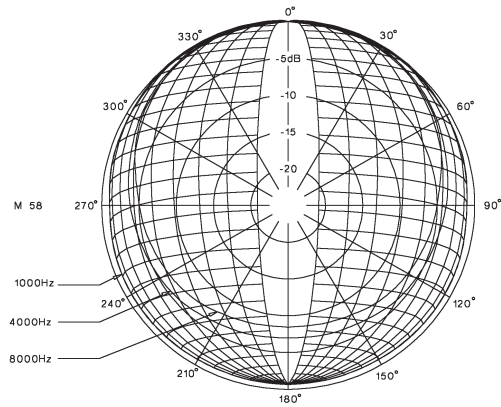
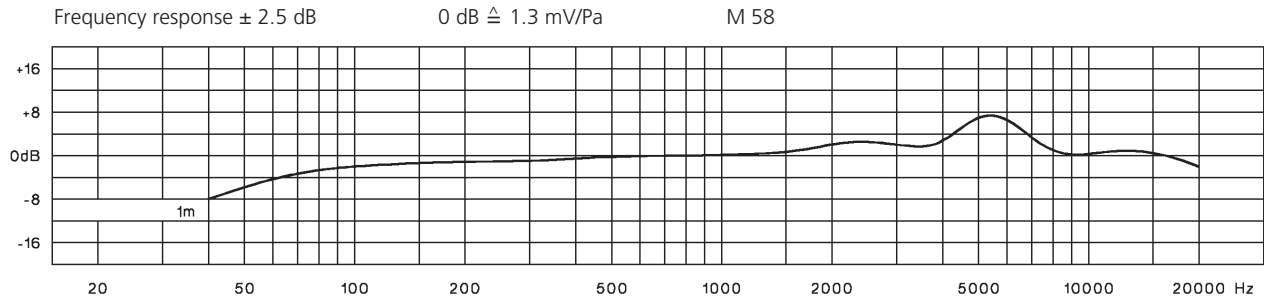
Dimensions Length: 260 mm
Shaft diameter: 23 mm
Head diameter: 40 mm

Weight w/out cable. 256 g

M 58

FREQUENCY RESPONSE & POLAR PATTERN

This polar pattern and frequency response curve (measuring tolerance ± 2.5 dB) correspond to a typical production sample for this microphone.



WIRING DIAGRAM

Positive pressure produces positive voltage on red lead (+).

