

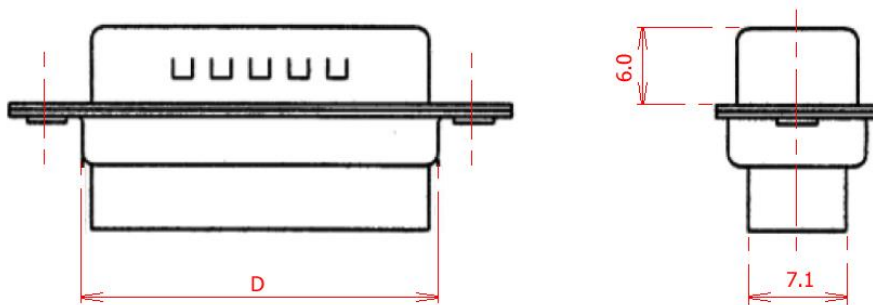
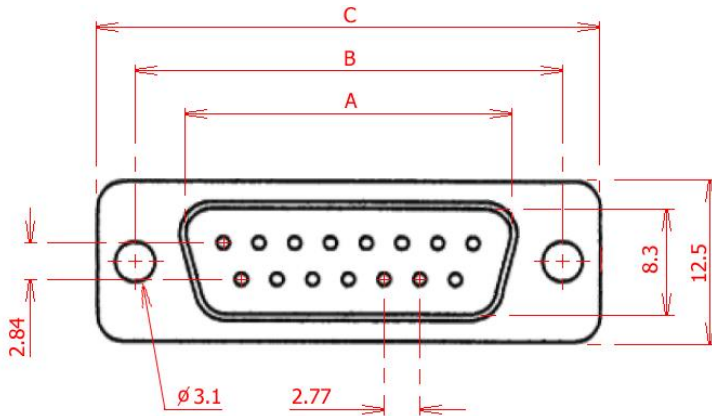
D-SUB XX pin Male/Female Crimp Connectors and Pins



- 44-051 D-SUB 9 pin female, crimp
- 44-052 D-SUB 9 pin male, crimp
- 44-061 D-SUB 15 pin female, crimp
- 44-062 D-SUB 15 pin male, crimp
- 44-071 D-SUB 25 pin female, crimp
- 44-072 D-SUB 25 pin male, crimp

D-SUB Connector Specifications

Insulator:	Glass filled Polyester, Black, UL94 V-0
Shell:	Stamped Steel, Tin Plated
Contact pins:	Copper Alloy
Contact current rating:	2A max
Operating temperature:	-55°C to +105°C
Insulator resistance:	1000MΩ min



Drawing not to scale
All Dimensions - mm

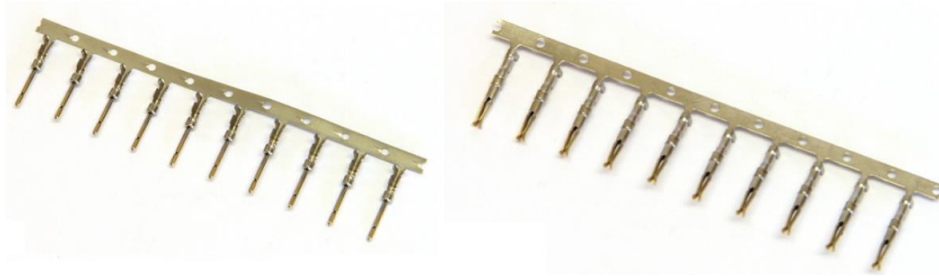
Item	A	B	C	D
44-051 D-SUB 9 pin female	16.30	25.00	30.80	19.20
44-052 D-SUB 9 pin male	16.92	25.00	30.80	19.20
44-061 D-SUB 15 pin female	34.60	33.30	39.20	27.70
44-062 D-SUB 15 pin male	25.25	33.30	39.20	27.70
44-071 D-SUB 25 pin female	38.30	47.10	53.10	41.10
44-072 D-SUB 25 pin male	38.96	47.10	53.10	41.10

CANFORD



www.canford.co.uk

D-SUB XX pin Male/Female Crimp Connectors and Pins



44-048 D-SUB Female crimp contact (pack of one strip of 100)

44-049 D-SUB Male crimp contact (pack of one strip of 100)

D-SUB Crimp Contact Specifications

Cables:	Suitable for 24-28 AWG Conductors
Material:	Brass (Male)
Phosphor:	Bronze (Female)
Plating:	Goldflash over Nickel



44-134 D-SUB CRIMP TOOL



44-135 D-SUB INSERTION/EXTRACTION TOOL